

Supersub Smart Family



Low profile automatic submersible bilge pumps sense bilge water level and switch on and off automatically

Fits deep down in confined bilge areas, under engines or cockpit floors



650

1100

NEW Widest Range Ever



Product code: see table



- **Sailing Today**
– Premium Product Award August 2009
“This was our all round favourite pump with multiple installation options easily cleaned and removable filter, small bore hose and full automation.”
James Turner
Sailing Today Group test - August 2009
- “This pump is easily the best working pump I have ever owned. I will recommend your company as I often service many boats.”
Mr Ekberg, Boat Servicing Customer, Sweden
June 2011

See more Supersub products on page 26

*SS5212 has a barbed connection or non-return valve option

Features and Benefits

WHY Supersub Smart?

- Fits deep in the bilge where other pumps can't reach
- No separate bilge switch required
- Automatically controlled patented electric field sensor detects water level
- Waterproof electronics- protected against water ingress
- Quick and easy installation - long wires, strainer and outlet rotate to suit your bilge area
- Unaffected by wave motion
- Environmentally friendly - mercury free
- Includes manual override facility
- Solid state switching - no moving parts

1 Year Warranty

Tips

- Easy clean
- unique clever strainer design
- easy to remove and replace for cleaning

Awards and Accreditations

- Qualtec award - Menzione Speciale 2009
- NMMA Innovation Award - Honourable Mention 2009
- CE Certified



Approvals and Standards

- Conforms to ISO 8849 and ISO 15083
- Ignition protected per ABYC and USCG standards
- NMMA type accepted

i Product Information



Model Specifications

Model Product Code	Supersub Smart - Low Profile Automatic Bilge Pump		
	SS5212 With barbed connection	SS1212 With non-return valve	SS1224 With non-return valve
Open Flow Rate @ 13.6 V d.c.	650 GPH (40 ltrs/min)	1050 GPH (66 ltrs/min)	1050 GPH (66 ltrs/min)
Flow Rate @ 1m Head	550 US GPH (34 ltrs/min)	750 GPH (47 ltrs/min)	750 GPH (47 ltrs/min)
Nominal Voltage	12 V d.c.	12 V d.c.	24 V d.c.
Current Draw	3.4 Amps	5 Amps	2.2 Amps
Recommended Fuse Size	5 Amp automotive	5 Amp automotive	2.5 Amp automotive
Wire Size (Caulked Wire)	1.5mm (16 AWG)	1.5mm (16 AWG)	1.5mm (16 AWG)
Weight	0.326 kg (0.71 lbs)	0.45 kg (0.99 lbs)	0.45 kg (0.99 lbs)
Maximum Discharge Head	3m (10ft)	3m (10ft)	3m (10ft)
Hose Connections	19mm (¾") / 25 (1") Stepped port	25 / 28mm (1" - 1 ¼") Stepped port	25 / 28mm (1" - 1 ¼") Stepped port
Materials	Pump Body; polypropylene, high temperature ABS, fully potted circuitry. Locking Ring; acetal, Impeller; Glass filled polypropelene Seals; Nitrile®, Fasteners; stainless steel.		
Overall height	75mm (3")	75mm (3")	75mm (3")
Overall Width	54mm (2 ¼")	54mm (2 ¼")	54mm (2 ¼")
Overall Length	212mm (8 ¾")	240mm (9 ½")	240mm (9 ½")

Note: For wiring advice on your installation, please contact Whale. These specifications are retail items only. For details of our bulk pack range for boat builders and wholesalers - contact Whale Support. Flow rates quoted are based on Whale laboratory tests without a non-return valve included.

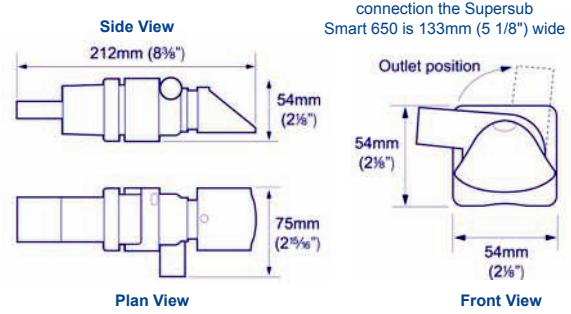
COMPLETE YOUR SYSTEM

Whale high quality bilge accessories including elbows and y pieces. Page 48 - 51

YOU MAY ALSO LIKE

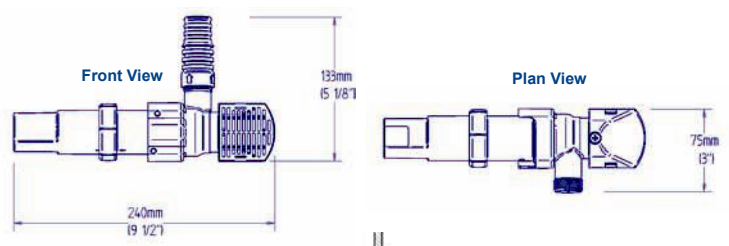
- NEW Orca Auto 1300 – page 22
- NEW Bilge IC - Pre-wired Remote Mounted Bilge System with automatic intelligent control built in - page 24
- NEW Grey IC and Gulley IC – Automatic Grey Waste systems – pages 96 and 98

DIMENSIONS FOR 650 MODEL



*Please Note: with the barbed connection the Supersub Smart 650 is 133mm (5 1/8") wide

DIMENSIONS FOR 1100 MODEL



Typical Installations

